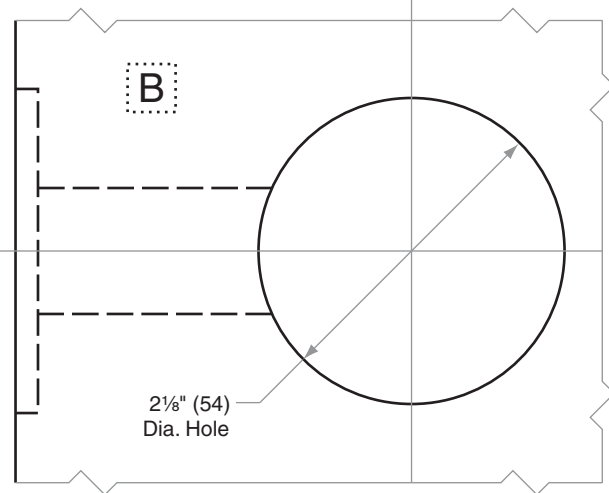
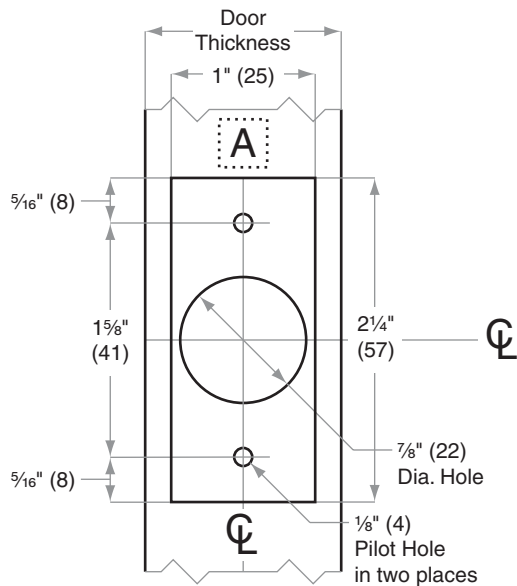
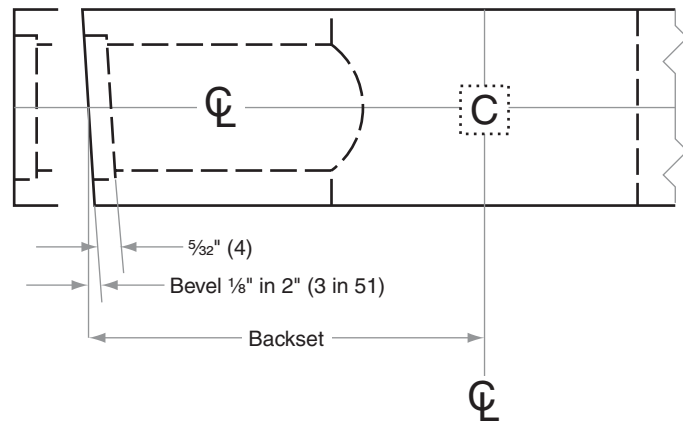
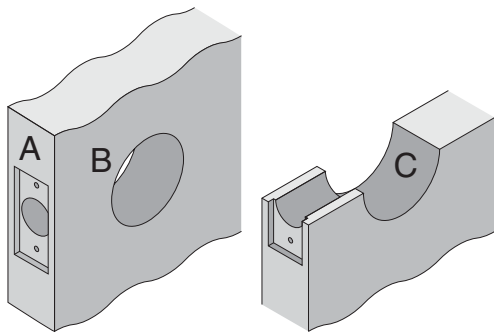


D-Series Knobs

D10–D85, D12EL/EU, D80PDEL/EU

Door Type:	Wood or Composite, Flat or Beveled
Door Thickness:	1 $\frac{3}{8}$ " (35mm)–2" (51mm)
Faceplate:	Square Corner, 1" (25mm) wide
Backsets:	D874-C, 2 $\frac{3}{8}$ " (60mm) D874-D, 2 $\frac{3}{4}$ " (70mm) D874-E, 3 $\frac{3}{4}$ " (95mm) D874-F, 5" (127mm) D874-G, other

For EL/EU functions, provision must be made to route low voltage wire to lock. **A clearance hole is required to accommodate the rectifier, $\frac{7}{16}$ " (11) diameter by 2 $\frac{7}{8}$ " (73) long.**



Dimensions shown in parentheses () are in millimeters

Job: _____

Date: _____

Door Thickness: _____

Remarks: _____

TEMPLATE
D874