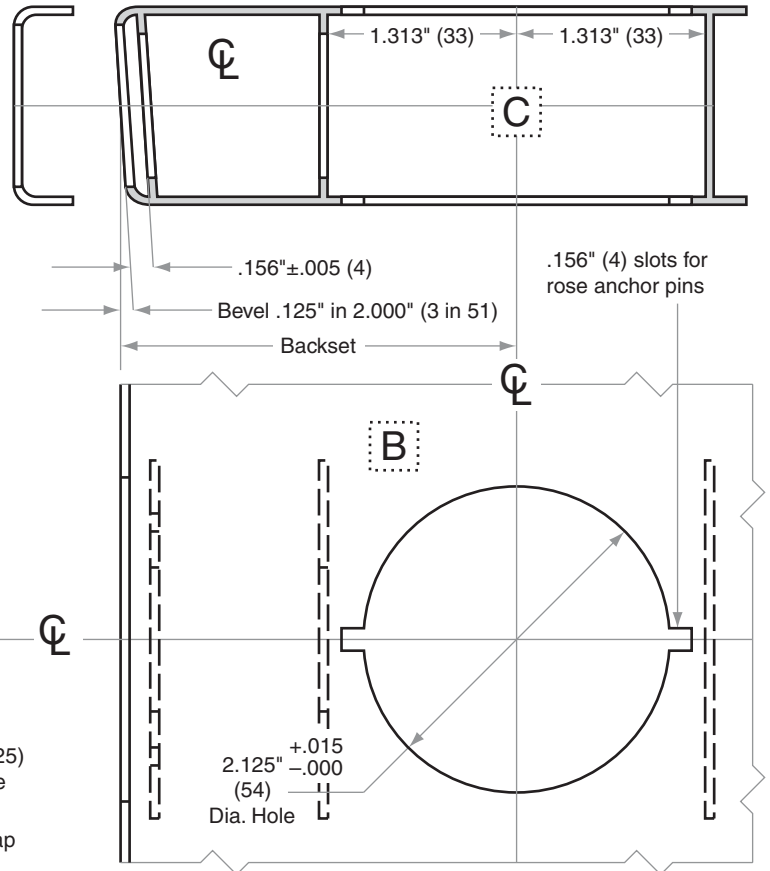
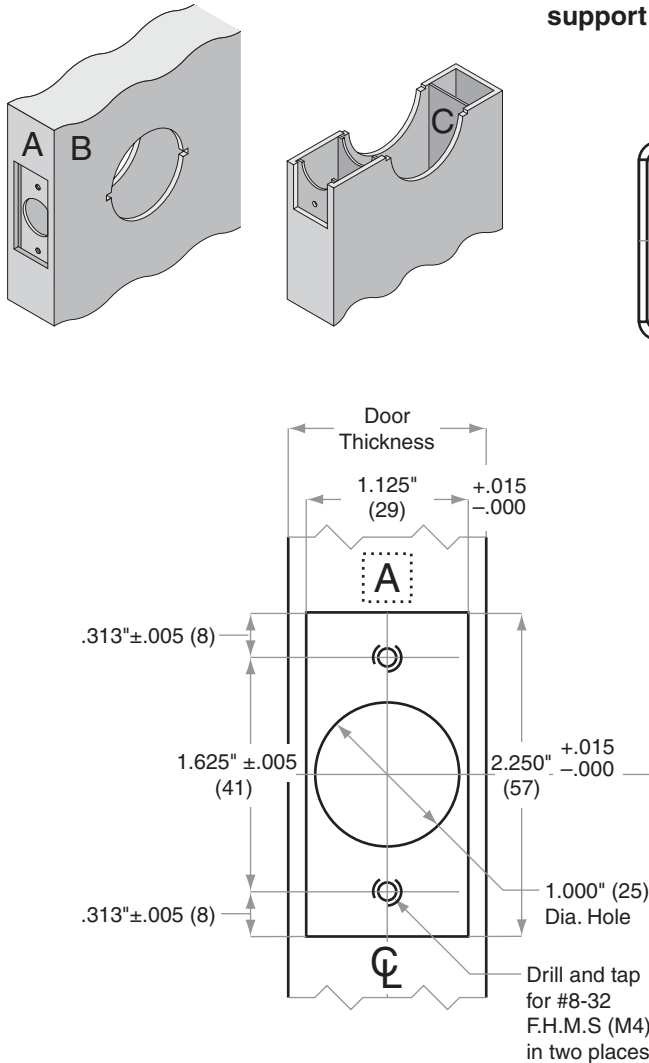


D-Series Knobs

D10–D85, D12EL/EU, D80PDEL/EU

| | |
|------------------------|---|
| Door Type: | Metal, Flat or Beveled |
| Door Thickness: | 1 $\frac{3}{8}$ " (35mm)–2" (51mm) |
| Faceplate: | Square Corner, 1 $\frac{1}{8}$ " (29mm) wide |
| Backsets: | D865-C, 2 $\frac{3}{8}$ " (60mm) D865-D, 2 $\frac{3}{4}$ " (70mm) D865-E, 3 $\frac{3}{4}$ " (95mm) D865-F, 5" (127mm) D865-G, other |

For metal door installations, suitable reinforcement is required to support latch in center of door and to prevent lateral movement



Dimensions shown in parentheses () are in millimeters

Job: _____

Date: _____

Door Thickness: _____

Remarks: _____

TEMPLATE
D865