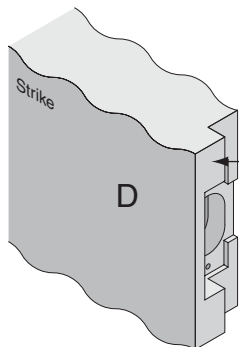


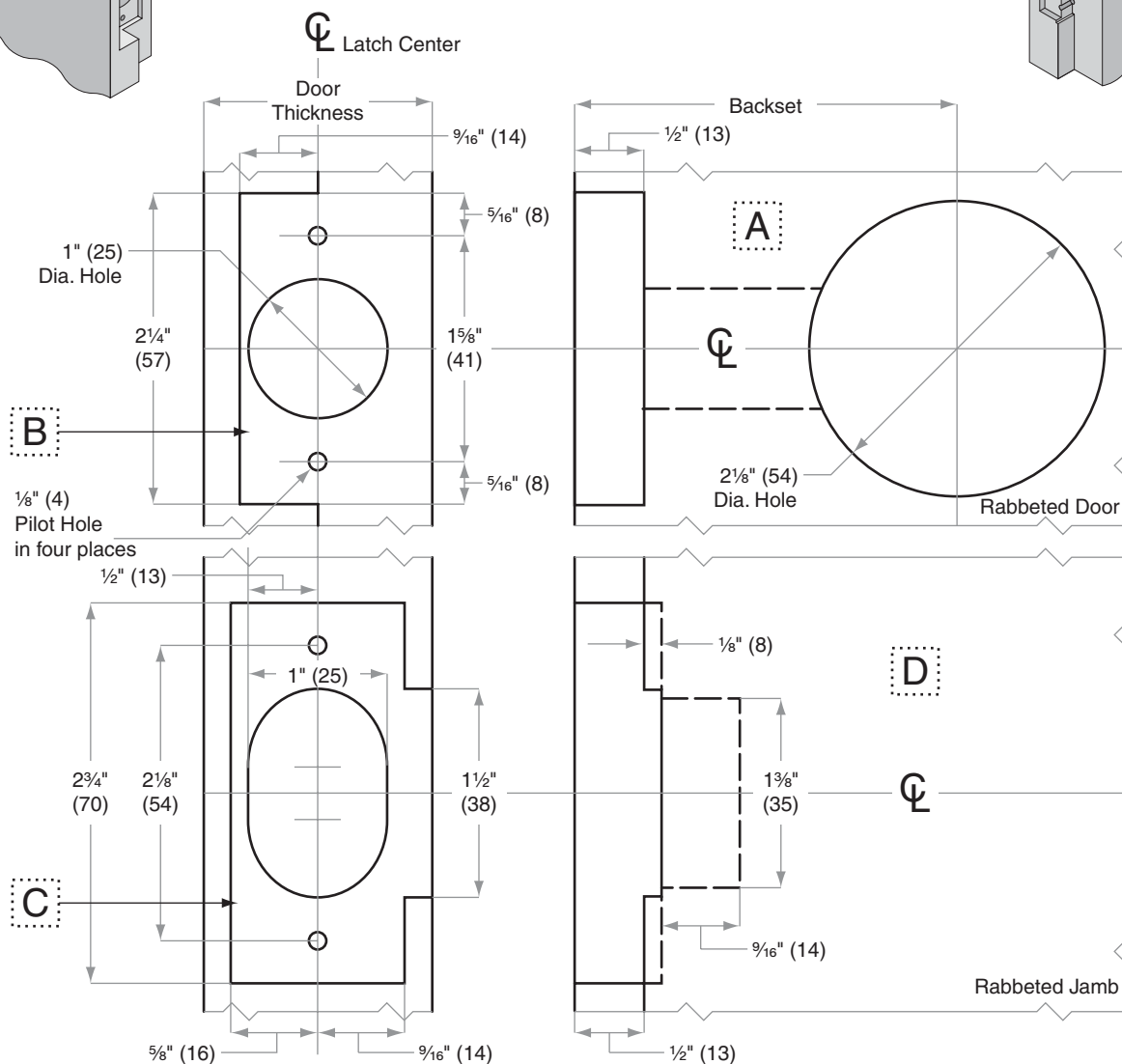
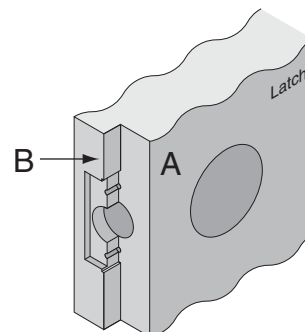
D-Series Knobs

D10–D85, D12EL/EU, D80PDEL/EU

Door Type:	Wood or Composite, rabbeted, flat
Door Thickness:	1 3/8" (35mm)–2" (51mm)
Faceplate:	Square Corner, 1 1/8" (25mm) wide, 1/2" (13mm) rabbeted and strike
Backsets:	D429-C, 2 3/8" (60mm) D429-D, 2 3/4" (70mm) D429-E, 3 3/4" (95mm) D429-F, 5" (127mm) D429-G, other



For EL/EU functions, provision must be made to route low voltage wire to lock. **A clearance hole is required to accommodate the rectifier, 7/16" (11) diameter by 2 7/8" (73) long.**



Dimensions shown in parentheses () are in millimeters

Job: _____

Date: _____

Door Thickness: _____

Remarks: _____

TEMPLATE
D429