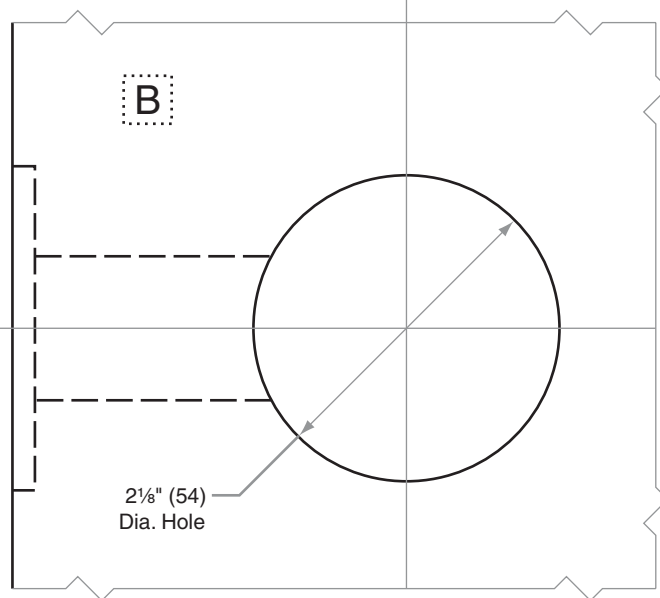
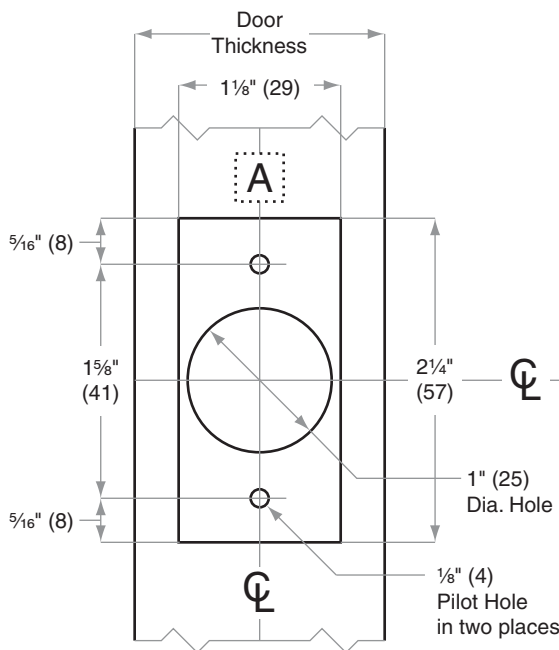
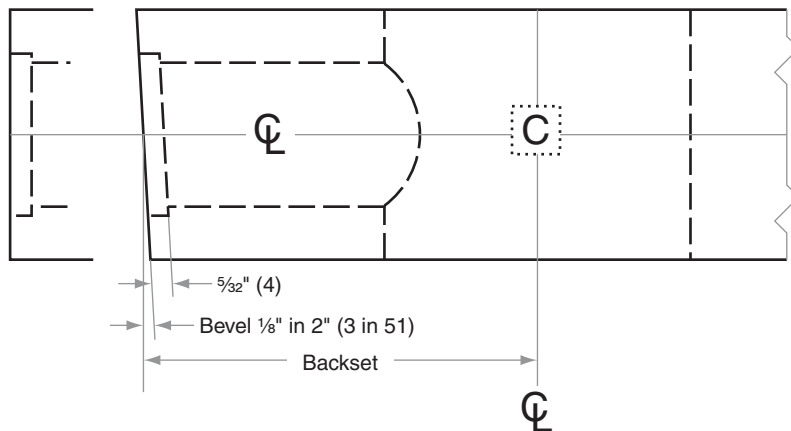
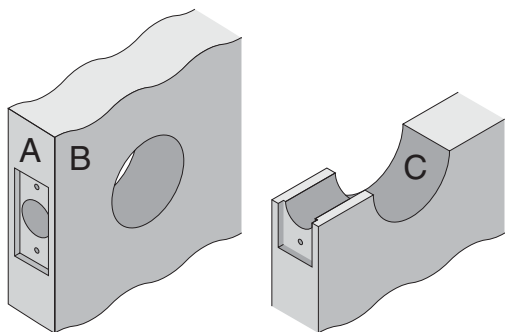


# D-Series Knobs

## D10–D85, D12EL/EU, D80PDEL/EU

<b>Door Type:</b>	Wood or Composite, Flat or Beveled
<b>Door Thickness:</b>	1 3/8" (35mm)–2" (51mm)
<b>Faceplate:</b>	Square Corner, 1 1/8" (29mm) wide
<b>Backsets:</b>	D427-C, 2 3/8" (60mm)   D427-D, 2 3/4" (70mm)   D427-E, 3 3/4" (95mm)   D427-F, 5" (127mm)   D427-G, other

For EL/EU functions, provision must be made to route low voltage wire to lock. **A clearance hole is required to accommodate the rectifier, 7/16" (11) diameter by 2 7/8" (73) long.**



Dimensions shown in parentheses ( ) are in millimeters

**Job:** \_\_\_\_\_

**Date:** \_\_\_\_\_

**Door Thickness:** \_\_\_\_\_

**Remarks:** \_\_\_\_\_

**TEMPLATE  
D427**