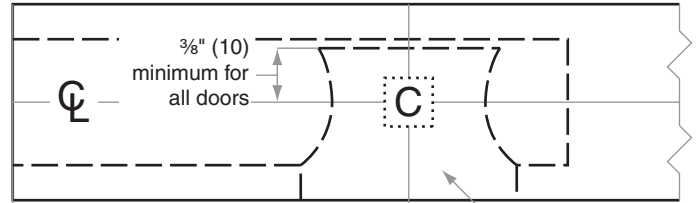
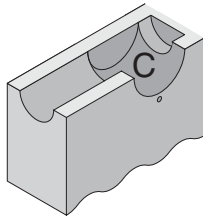
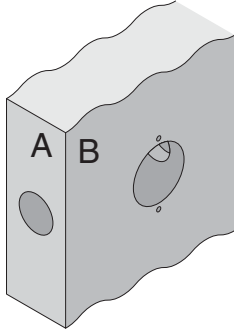


B500-Series

B580

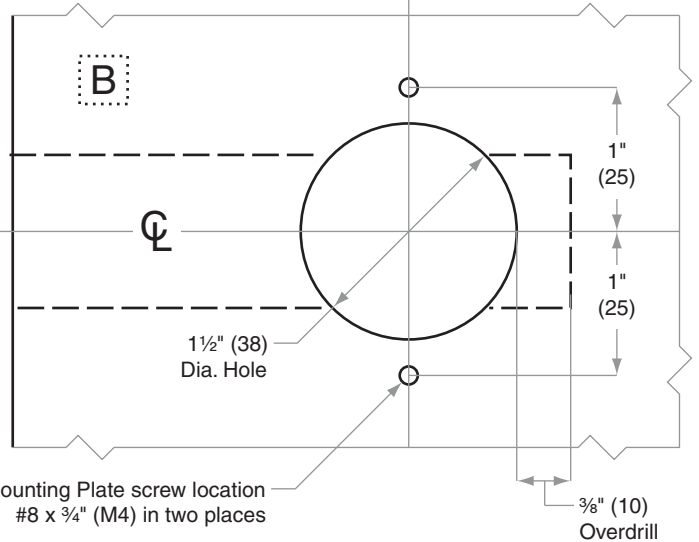
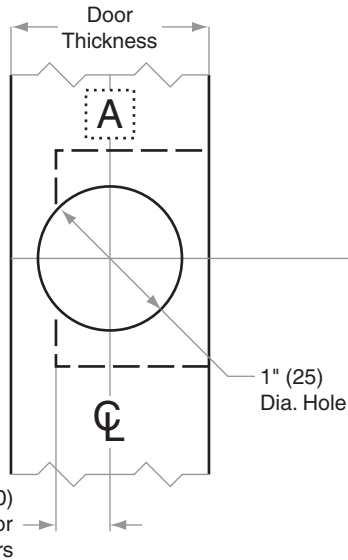
Door Type:	Wood or Composite, Flat
Door Thickness:	1 $\frac{3}{8}$ " (35mm)–2 $\frac{1}{4}$ " (57mm)
Faceplate:	Circular Drive-In
Backsets:	B943-C, 2 $\frac{3}{8}$ " (60mm) B943-D, 2 $\frac{3}{4}$ " (70mm) B943-F, 5" (127mm)



Bore on side of door where Turn Unit will be used

1 $\frac{1}{2}$ " (38) drill bit without lead recommended to avoid drilling through blank side of door

Backset



Dimensions shown in parentheses () are in millimeters

Job: _____

Date: _____

Door Thickness: _____

Remarks: _____

TEMPLATE
B943