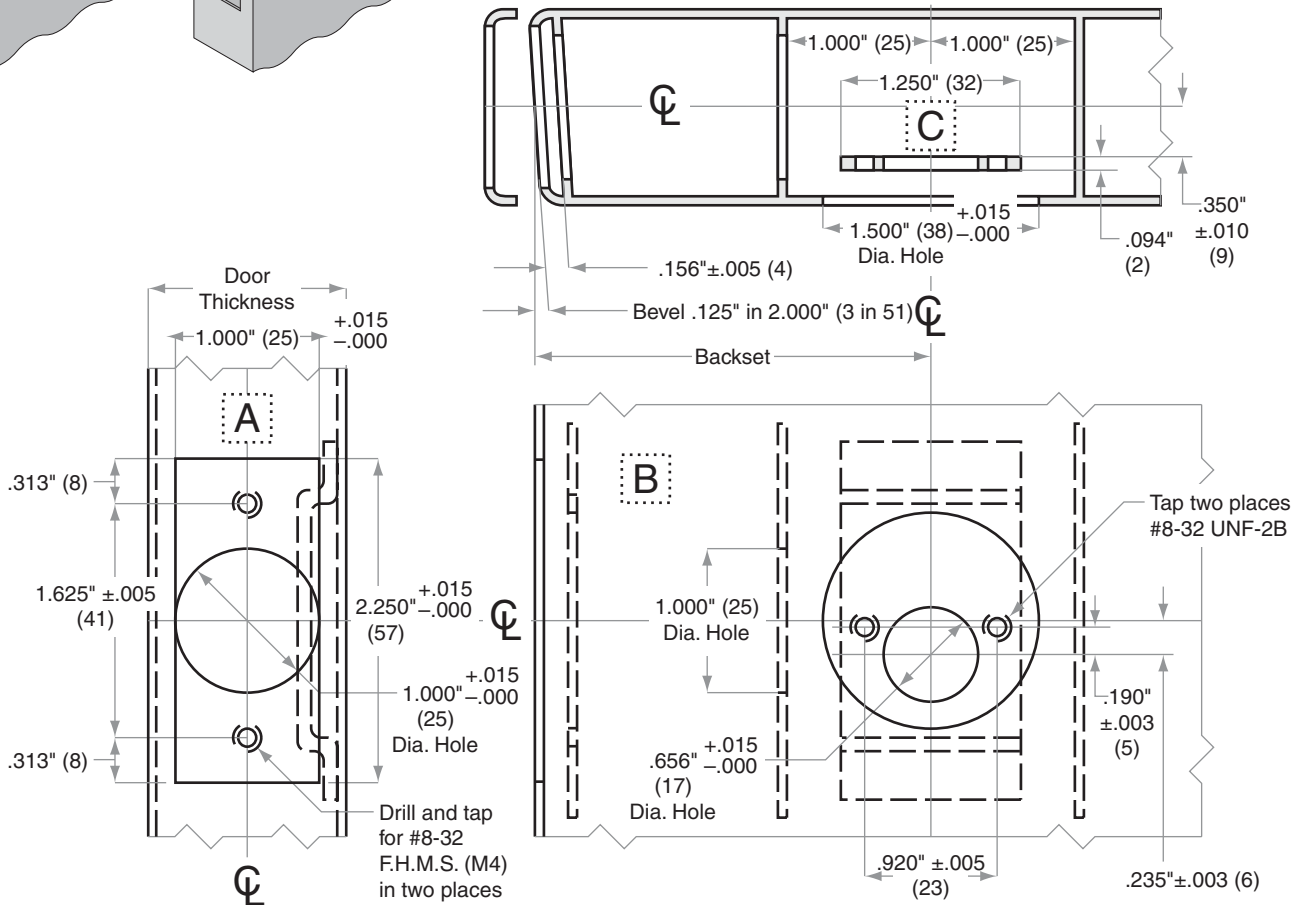
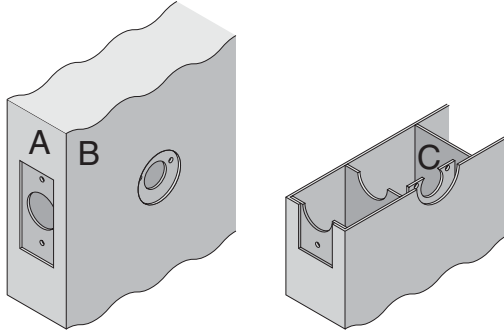


B500-Series

B580

Door Type:	Metal, Flat or Beveled
Door Thickness:	1 $\frac{3}{8}$ " (35mm)–2 $\frac{1}{4}$ " (57mm)
Faceplate:	Square Corner, 1" (25mm) wide
Backsets:	B941-C, 2 $\frac{3}{8}$ " (60mm) B941-D, 2 $\frac{3}{4}$ " (70mm) B941-F, 5" (127mm)

For metal door installations, suitable reinforcement is required to support latch in center of door and to prevent lateral movement



Dimensions shown in parentheses () are in millimeters

Job: _____

Date: _____

Door Thickness: _____

Remarks: _____

TEMPLATE
B941