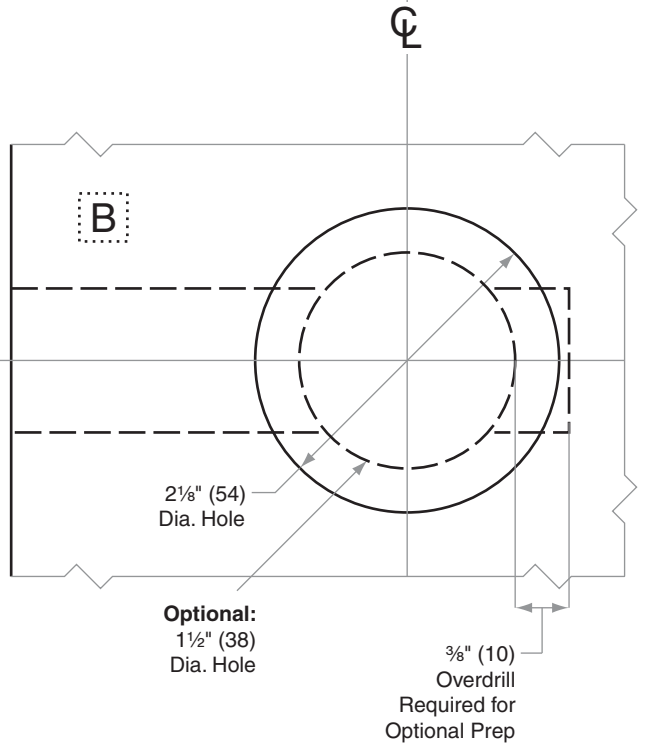
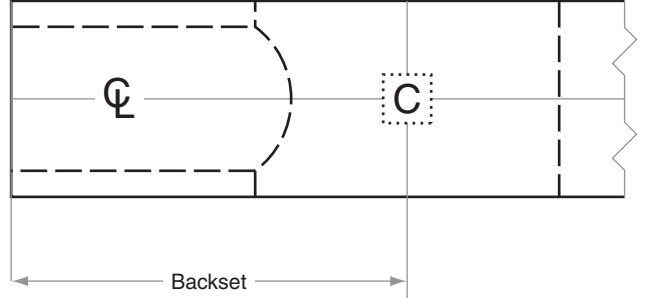
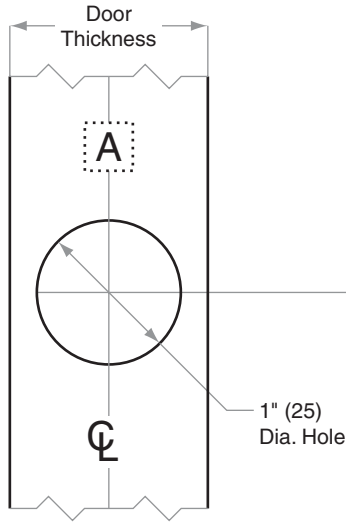
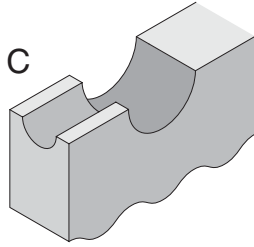
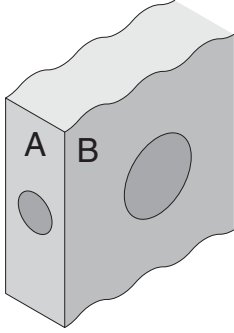


B500-Series

B560, B561, B562, B563

Door Type:	Wood or Composite, Flat
Door Thickness:	1 $\frac{3}{8}$ " (35mm)–1 $\frac{7}{8}$ " (48mm)
Faceplate:	Circular Drive-In
Backsets:	B929-C, 2 $\frac{3}{8}$ " (60mm) B929-D, 2 $\frac{3}{4}$ " (70mm) B929-F, 5" (127mm)



Dimensions shown in parentheses () are in millimeters

Job: _____

Date: _____

Door Thickness: _____

Remarks: _____

**TEMPLATE
B929**