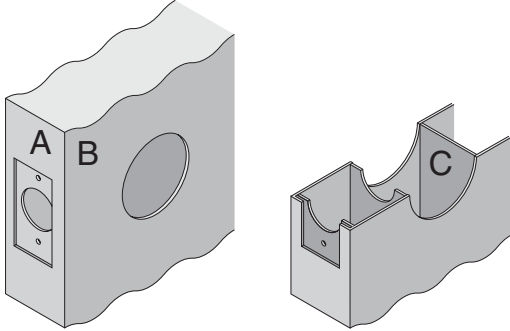


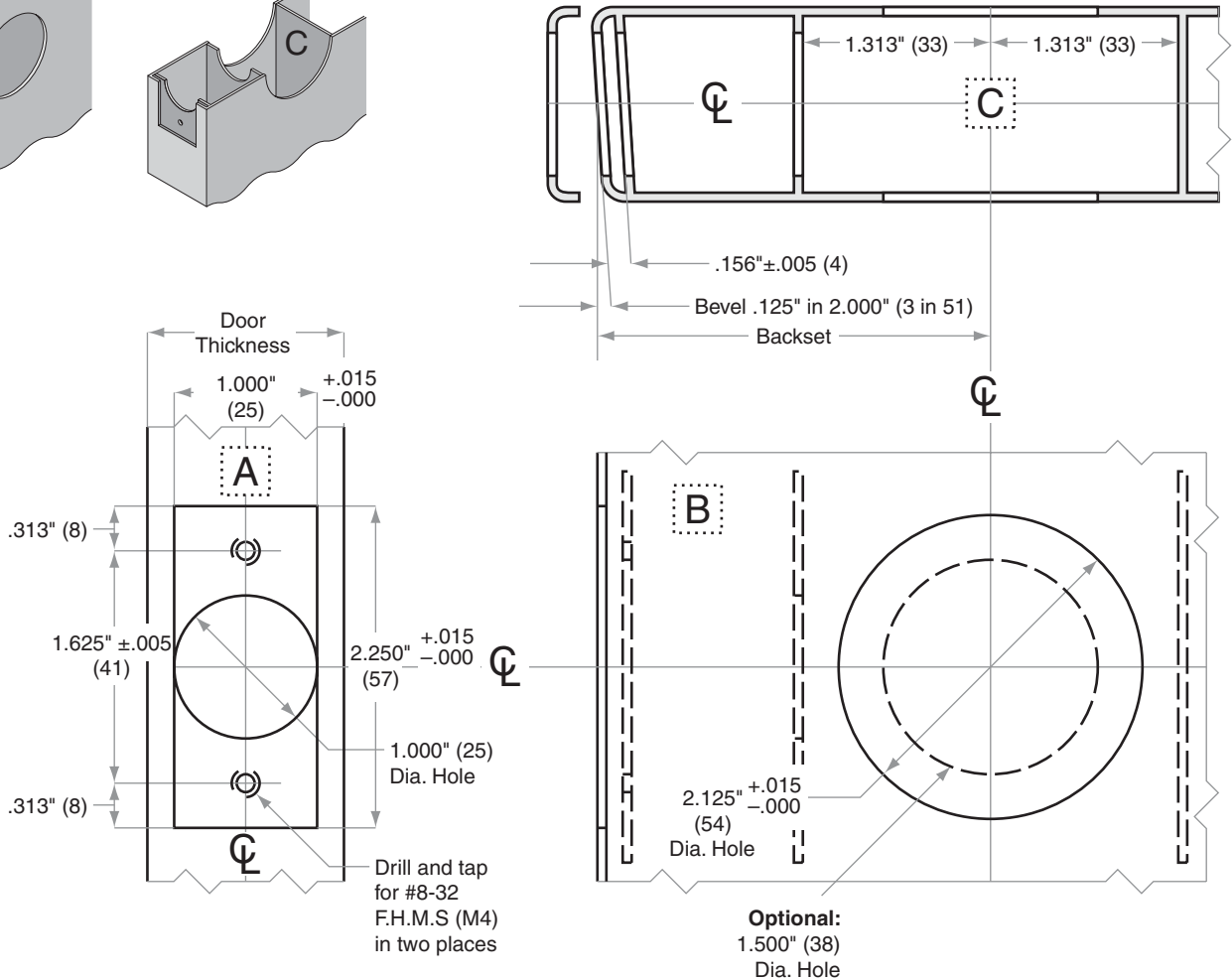
B500-Series

B560, B561, B562, B563

- Door Type:** Metal, Flat or Beveled
- Door Thickness:** 1 $\frac{3}{8}$ " (35mm)–1 $\frac{7}{8}$ " (48mm)
- Faceplate:** Square Corner, 1" (25mm) wide
- Backsets:** B927-C, 2 $\frac{3}{8}$ " (60mm) | B927-D, 2 $\frac{3}{4}$ " (70mm) | B927-F, 5" (127mm)



For metal door installations, suitable reinforcement is required to support latch in center of door and to prevent lateral movement



Dimensions shown in parentheses () are in millimeters

Job: _____

Date: _____

Door Thickness: _____

Remarks: _____

TEMPLATE
B927